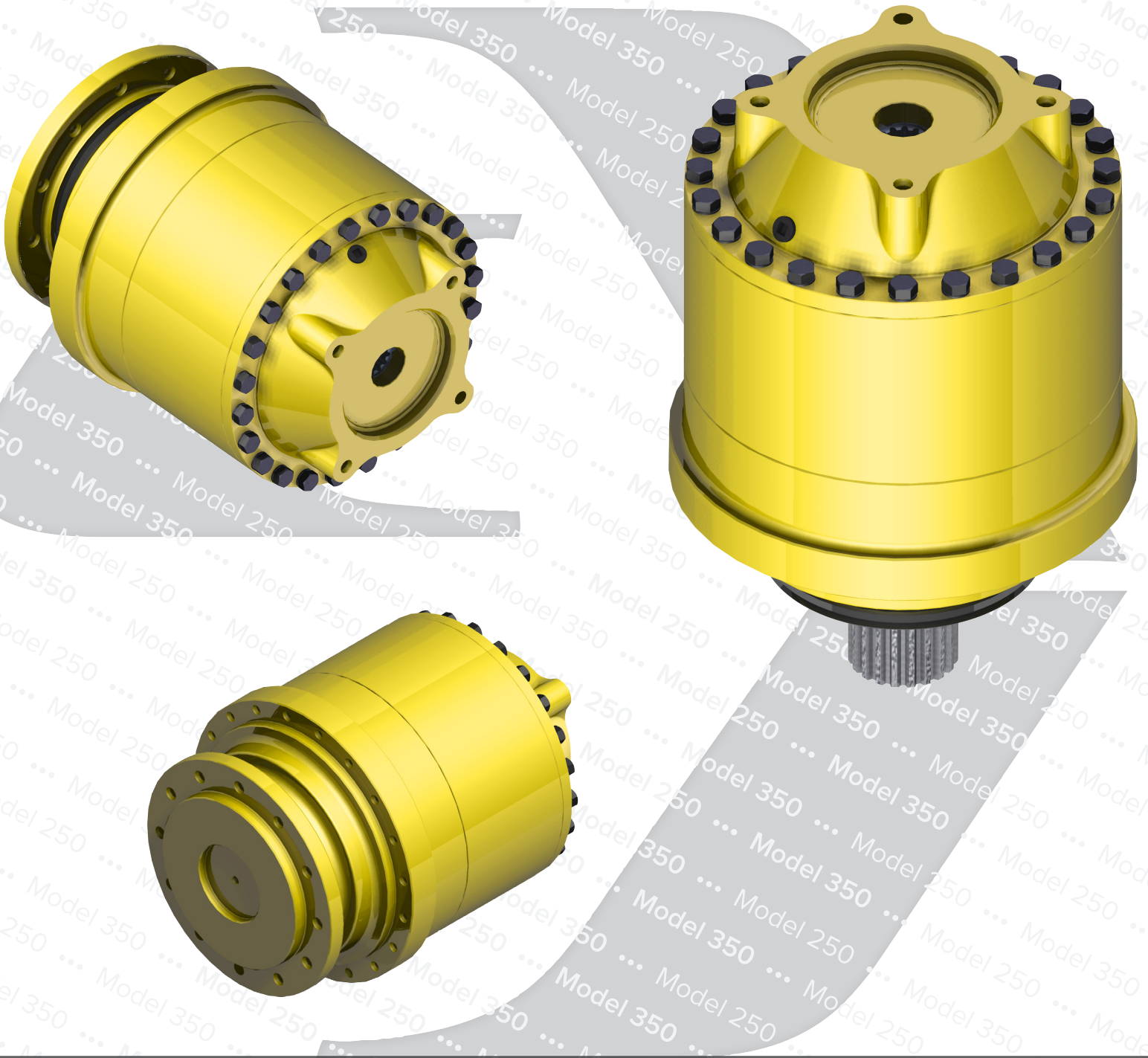




AuburnGear

Engineered Drive Solutions



Power Wheel®
Model 250 & Model 350 Shaft & Spindle Output Drives

260.925.3200 AuburnGear.com

Model 250 & 350 Shaft & Spindle Output

General Specifications

Model 250

Max. intermittent output torque^{1,2}250,000 lb-in (28,200 Nm)
 Max. input speed ²5,000 RPM
 Approximate Weight..... 450 lbs (205 kg)
 Oil capacity (horizontal)..... 140 oz (4100 cc)
 Oil capacity (vertical)220 oz (6500 cc)
 Max. radial load:(@ pref. load center).....36,000 lbs (16,300 kg)

Model 350

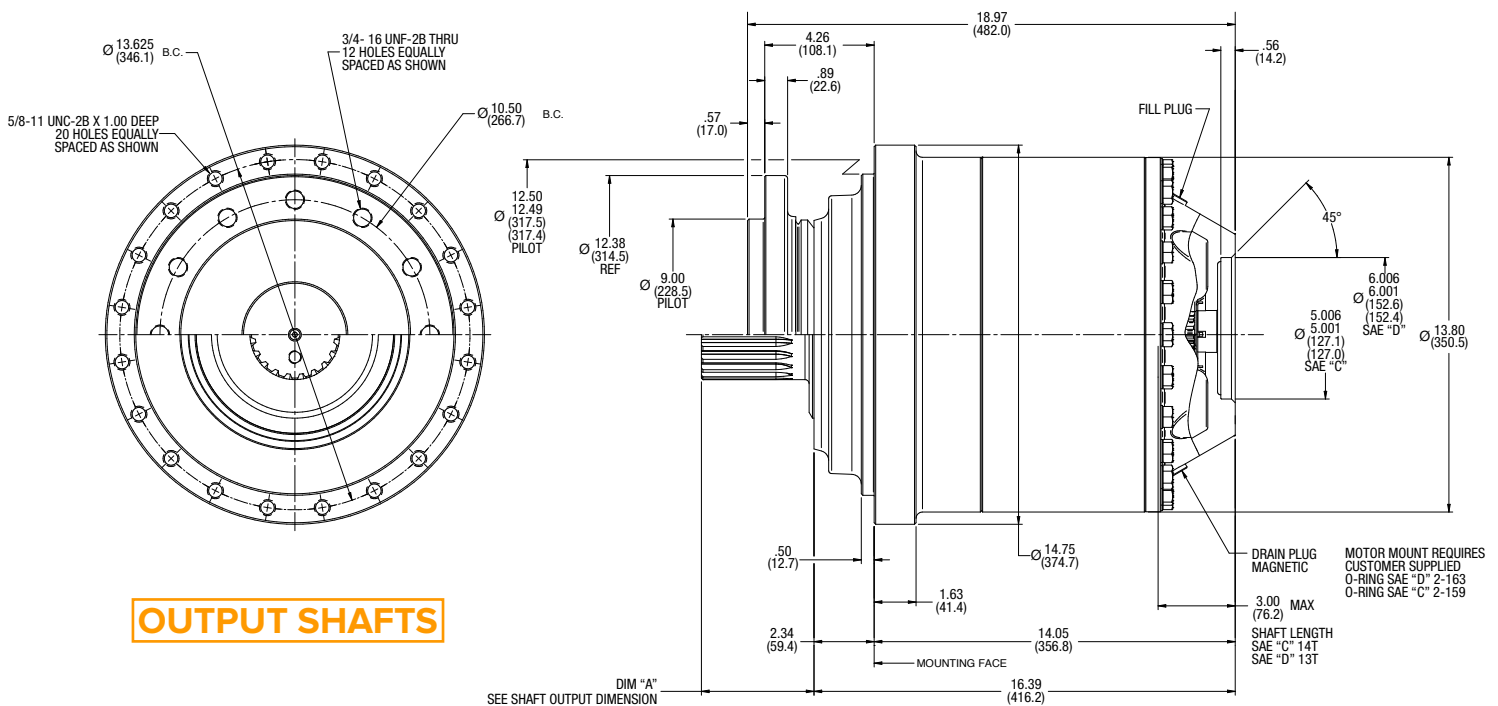
Max. intermittent output torque^{1,2}.....350,000 lb-in (39,600 Nm)
 Max. input speed ²5,000 RPM
 Approximate Weight..... 470 lbs (215 kg)
 Oil capacity (horizontal)..... 130 oz (3800 cc)
 Oil capacity (vertical)..... 210 oz (6200 cc)
 Max. radial load:(@ pref. load center)36,000 lbs (16,300 kg)

¹ Depending on the duty cycle and the nature of the application, a normal continuous output torque of 1/3 to 1/2 of the maximum intermittent should yield satisfactory Power Wheel® life. Customer testing and application analysis is strongly recommended.

² If application exceeds published limit, contact Auburn Gear.

Bolt-on parking brakes available. Please contact Auburn Gear if required.

F1 SPINDLE



MOTOR MOUNTINGS

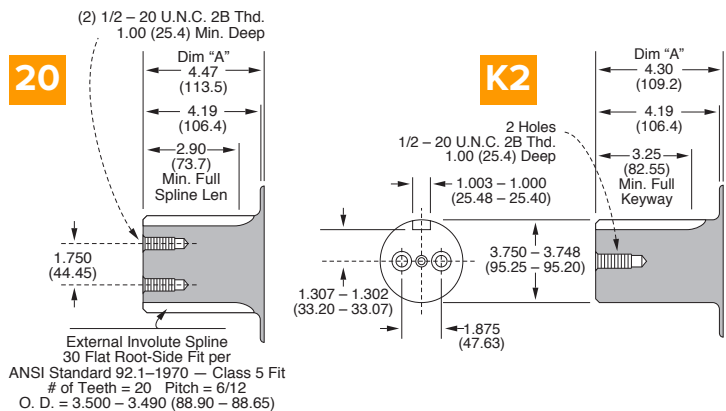
SAE C
with 14T 12/24 input

SAE D
with 13T 8/16 input

RATIOS

20.52
26.07
29.96
40.02
46.00

OUTPUT SHAFT OPTIONS



Contact Auburn Gear for order code information